



Engineering Virtual Learning

HS Intro to Engineering Design Lesson 4

April 9, 2020



Objective/Learning Target:
Students will continue to Draw
Multi-View Sheet Drawings.

Bell-work:

The Isometric view closely resembles?

- A. Front View only
- B. A Minecraft block
- C. 2D view
- D. 3D view

Let's Get Started:

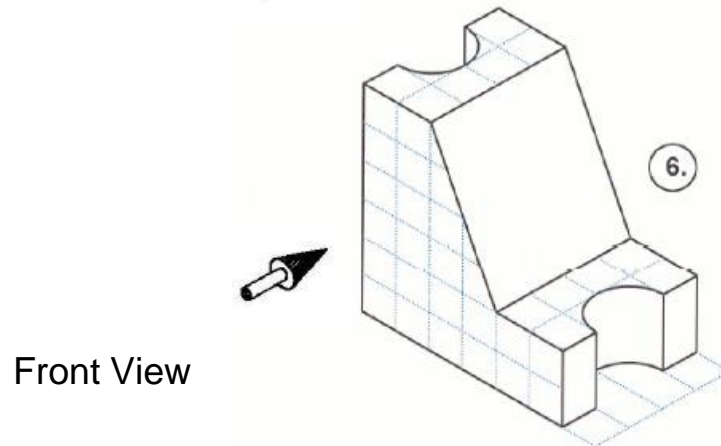
This video showed us how to create a multi-view drawing: <https://www.youtube.com/watch?v=Evqg0L4KMI8>

We made sure our Front, Top, Right Side and Isometric Views were in the correct places. We are going to practice that more today.

Learning Practice:

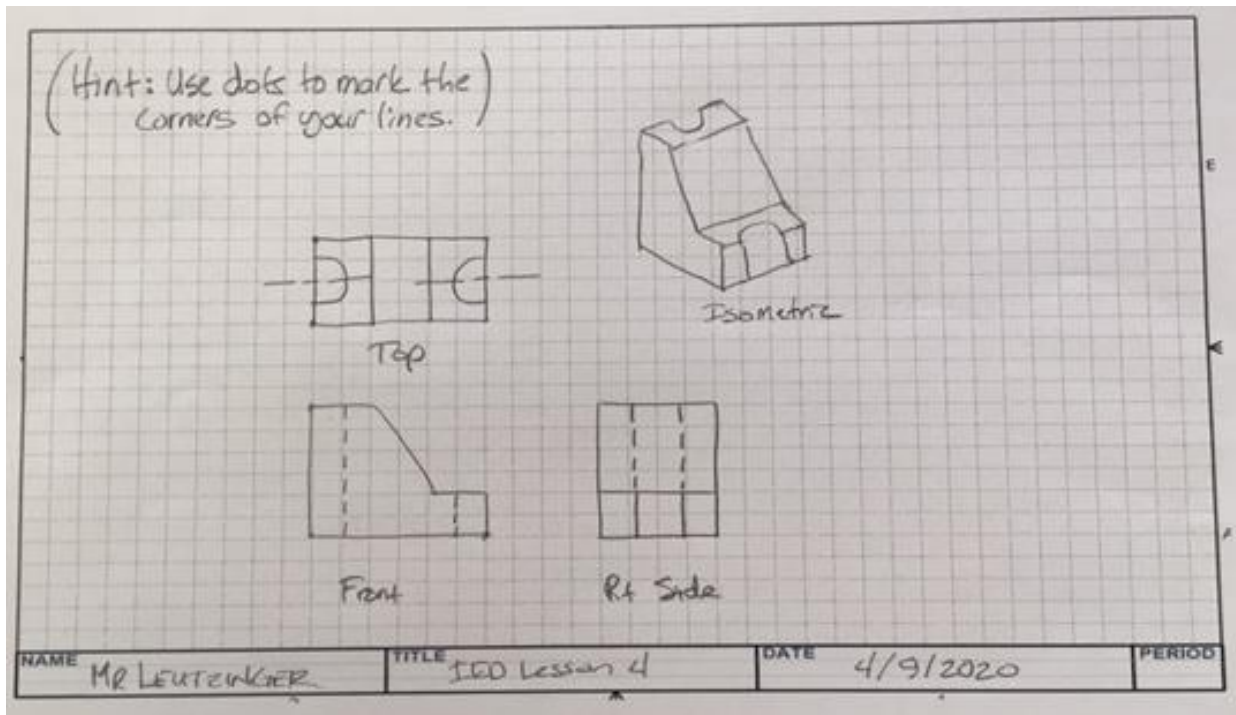
Complete the practice learning activity below in your engineers notebook or on the graph paper printed from page 7.

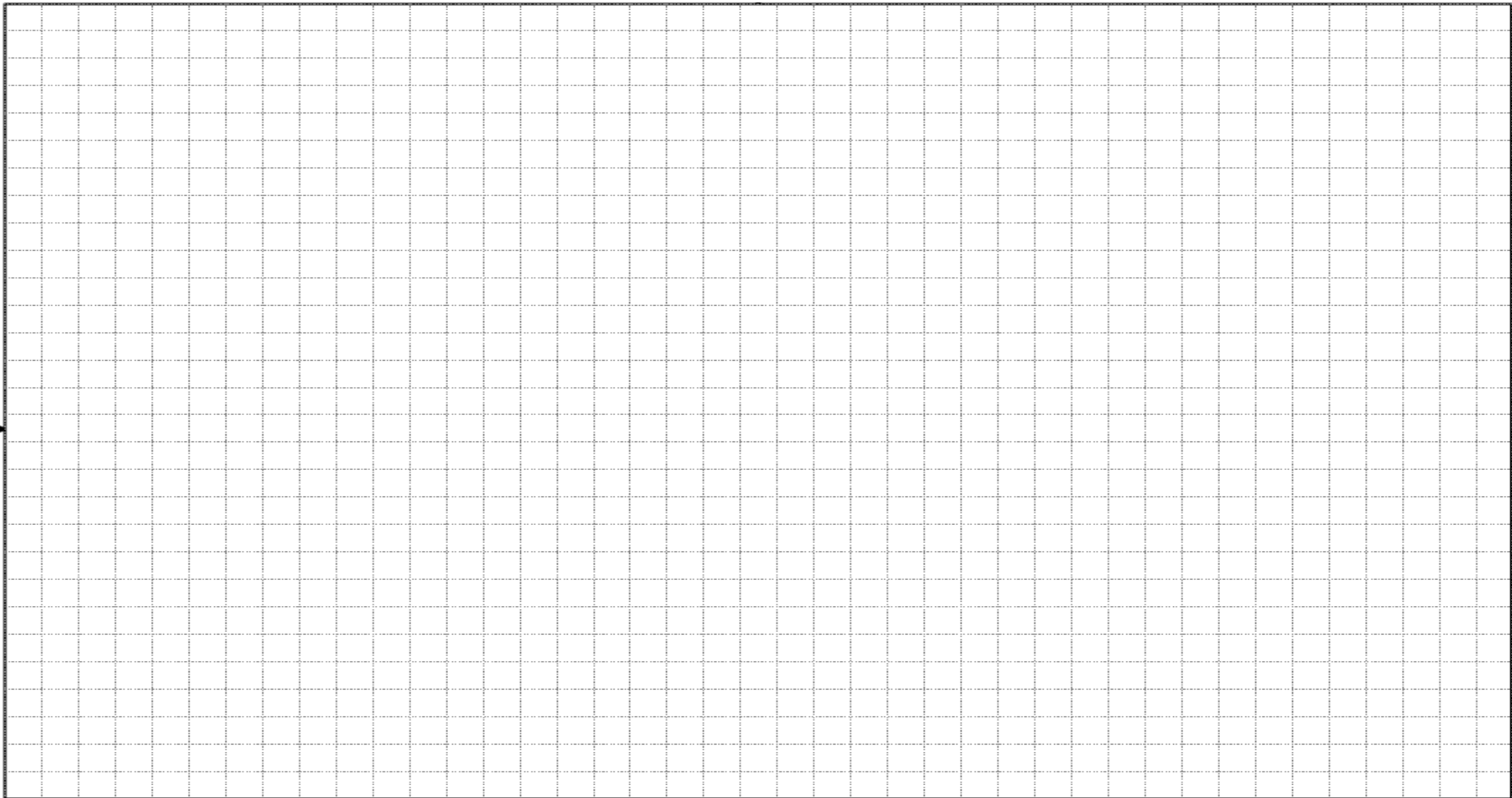
Create a Multi-View Sheet Drawing in Your Engineers Notebook or on the graph provided of the following part. Don't Forget a Front, Top and Right Side View with an Isometric Sketch.



Check For Understanding:

Does your Multi-View Sketch look like this?





NAME

TITLE

DATE

PERIOD

Learning Resource Links:

<https://www.youtube.com/watch?v=Evqg0L4KMI8>